

TO : Customer

DATE : 2018.05.17

**GREEN C&C TECH Co.,Ltd
65,JINWISANDAN-RO , JINWI-MYEON
PYEONGTAEK-CITY, KYEONGGI-DO
KOREA 451-861
TEL : 82-31-373-3623~3625
FAX : 82-31-373-3610**

DOCUMENTATION FOR APPROVAL

**PRODUCT : LED BACKLIGHT DRIVER (RoHS)
MODEL NAME : GH734A(P1)
GCCT NAME : GCCT734PA**

APPROVAL	CHECKED	WRITTEN

PLEASE RETURN ONE DOCUMENT AFTER APPROVED SIGN.

GREEN C&C TECH	LED DRIVER SPECIFICATION GH734A(P1)	Publishing Date Reforming Date	2018.05.17
----------------	--	-----------------------------------	------------

NO	Date	REVISION	Page
REVISION HISTORY			

REV.														
Page														
REV.	0	0	0	0	0	0	0	0	0	0	0	0	0	0
Page	1	2	3	4	5	6	7	8	9	10	11	12	13	14
Page Rev.												0	Page	1

GREEN C&C TECH	LED DRIVER SPECIFICATION GH734A(P1)	Publishing Date	2018.05.17
		Reforming Date	

1. APPLICATION

This Document Specified The Detailed Product Requirement of LED driver
GH734A(P1)

2. SUITABLE LOAD

LCD MODULE : 8 Strings LED BLU TFT LCD

3. ELECTRICAL CHARATERISTICS

3.1. Absolute Maximum Ratings

Item	Symbol	Spec.	Unit	Remarks
Input Voltage 1	Vin	10.8~26.4	V	
Input Voltage 2	ON/OFF	5.25	V	
Operating Temperature	Top	0~60	℃	
Storage Temperature	Tstg	-30~80	℃	
Relative Humidity	RH	80	%	

3.2. Control Signal

PIN No.	Symbol	Status	Action	Remarks
CN1 #12	ON/OFF	HIGH	LED - ON	2.4 ~ 5.25V
		LOW	LED - OFF	0.8 V Max

GREEN C&C TECH	LED DRIVER SPECIFICATION GH734A(P1)	Publishing Date	2018.05.17
		Reforming Date	

3.3. Output Characteristics

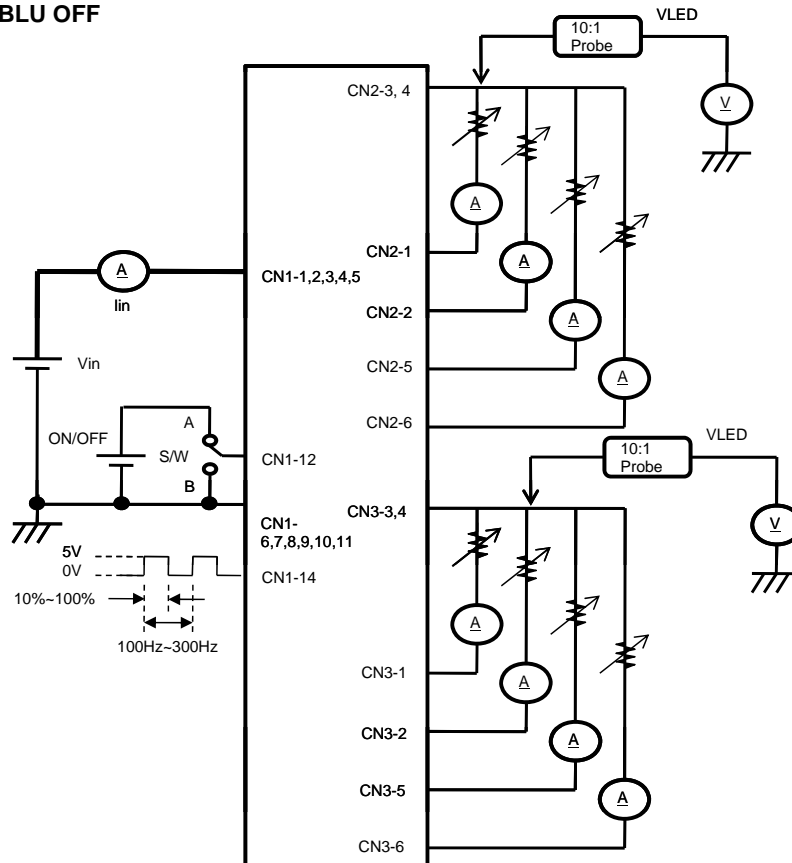
Item	Sym.	Condition	Min.	Typ.	Max.	Unit
Input Voltage	Vin	-	10.8	-	26.4	Vdc
Input Current	Iin	Vin=12V, Dim=100%	-	-	4.0	A
Output Voltage	Vout	Vin=12V, Dim=100%	-	-	43.2	Vdc
Output Current	Iout (max)	Vin=12V, Dim=100%	110.0	120.0	130.0	mAmean
PWM Signal	Vpwm	High(ON)	2.4	-	5.25	V
	Vpwm	Low(OFF)	-0.3	-	0.8	
	Fpwm	-	100	-	300	Hz
	DUTY	Active High Level	10 (Min)	-	100 (Max)	%

* Output Voltage is greater than Input Voltage for at least 3V or more.

* Duty of the PWM Signal has to be more than 1% at step 1 of Brightness.

3.4. Test Circuit

-. S/W : A --> BLU ON
B --> BLU OFF



GREEN C&C TECH	LED DRIVER SPECIFICATION GH734A(P1)	Publishing Date Reforming Date	2018.05.17
----------------	--	-----------------------------------	------------

4. INTERFACE

4.1. CN1 Connector (Input) : 20022WR-14AML (YEONHO) or Equivalent

PIN No.	Symbol	Description
1,2,3,4,5	VIN	Voltage Input : 12V,24V (typ.)
6,7,8,9,10,11	GND	Ground
12	ON/OFF	LED DRIVER ON/OFF Control
13	A DIM	No Connection
14	P DIM	10 ~ 100% (100Hz~300Hz PWM Freq.)

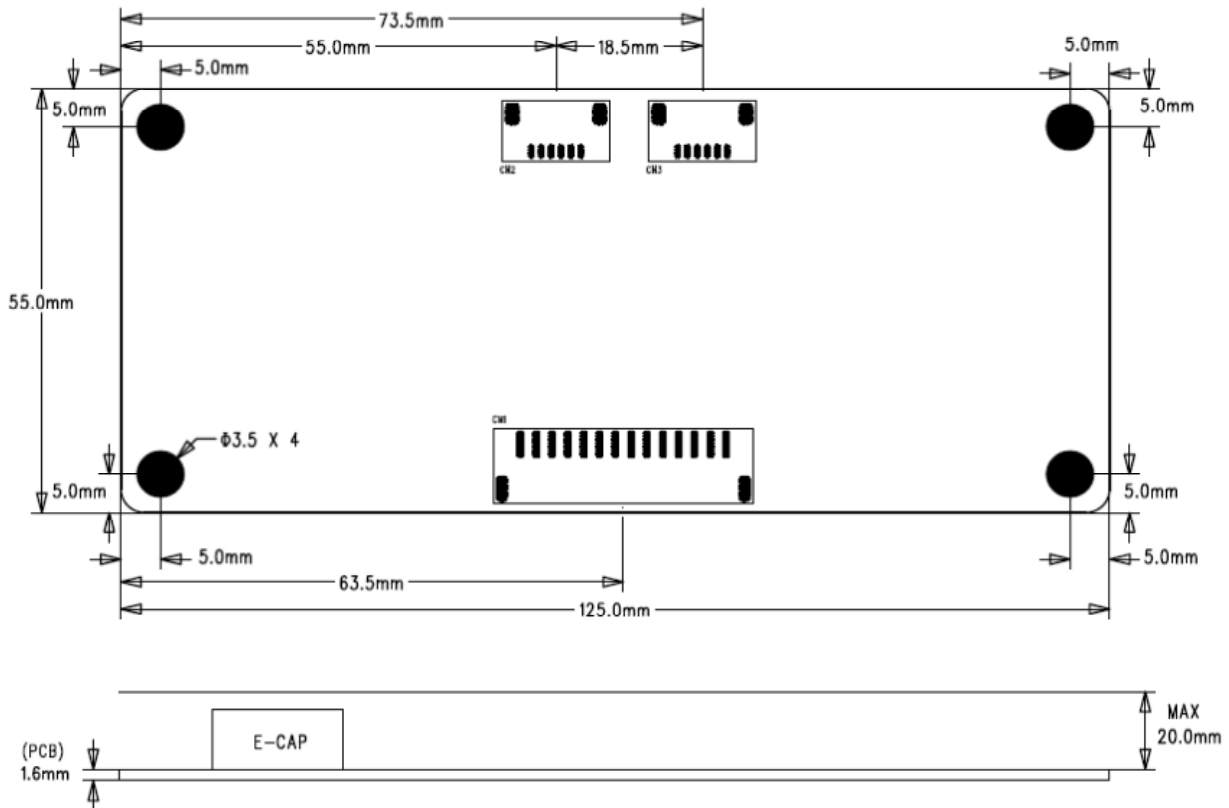
4.2. CN2, CN3 Connector (Output) : 12507WR-06L (YEONHO) or Equivalent

PIN No.	Symbol	Description
1	FB1	Feedback1
2	FB2	Feedback2
3	VLED	LED Output
4	VLED	LED Output
5	FB3	Feedback3
6	FB4	Feedback4

GREEN C&C TECH	LED DRIVER SPECIFICATION GH734A(P1)	Publishing Date	2018.05.17
		Reforming Date	

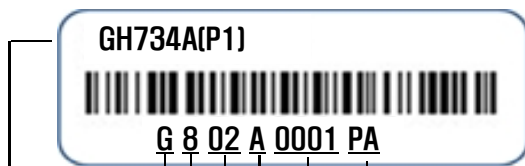
5. APPERANCE (Unit : mm)

(Tolerance : +0.8mm, -0.2mm)



6. NOTATION OF LOT NUMBER

MARKING : BOTTOM



GH734A(P1)	: USER MODEL CODE
G	: MANUFACTURER CODE (GREEN C&C TECH.)
8	: YEAR OF PRODUCT 5 → 2015 , 6 → 2016 , ... , 9 → 2019
02	: WEEK OF PRODUCT 01,02,03,04,...52
A	: PUBLICATION NUMBER A,B,C,...,Z,0,1,2,...,9
0001	: SERIAL NUMBER 0001,0002.....9998,9999
PA	: GCCT MODEL CODE (GCCT734PA)